

QA

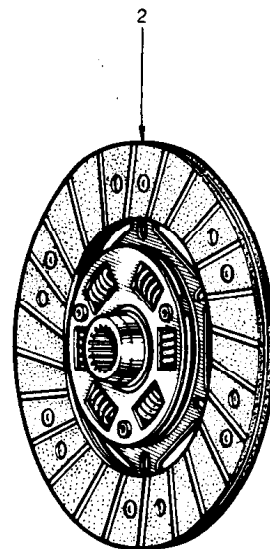
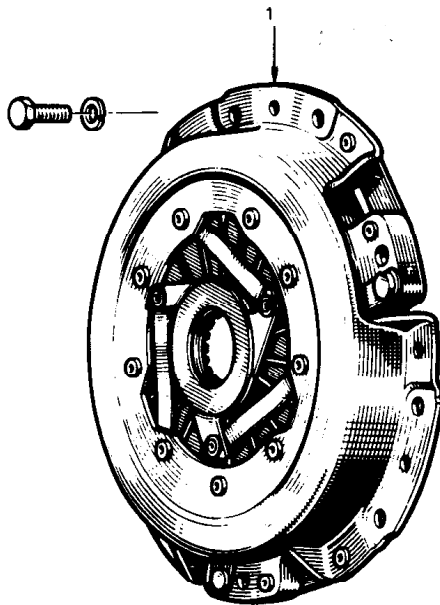
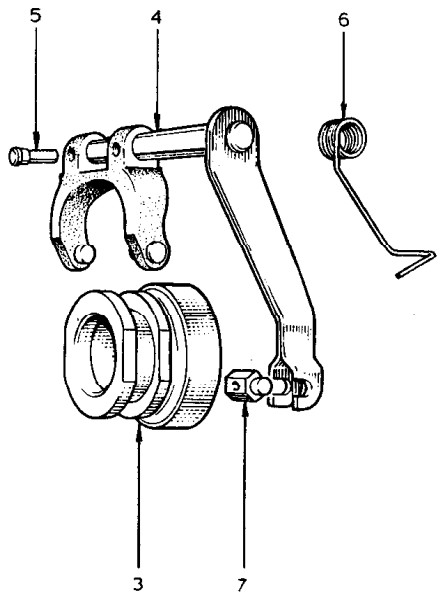


PLATE Ref: No.	PART No.	QUANTITY					STEERING		DESCRIPTION	CHANGE POINT	BULLETIN REFERENCE
		ALL	SI.	SI. Mk I	S2.	S2. Fed.	RH	LH			
	046 Q 6000	1							Clutch Pressure Plate		
QA.1.	046 A 6000A	1							Clutch Pressure Plate		
	046 Q 6001	1							Clutch Centre Plate		
QA.2.	046 Q 6001A	1							Clutch Centre Plate		
	A046 W 6004	6							Bolt) Clutch Pressure Plate to Flywheel		
	A046 W 6018	6							Washer)		
QA.3.	046 F 6118	1							Clutch Release Bearing Assembly		
	046 F 6115	1							Shaft - Clutch Release		
QA.4.	A046 F 6115	1							Shaft - Clutch Release		
QA.5.	046 F 6114	1							Dowel Pin		
QA.6.	046 F 6116	1							Return Spring		
QA.7.	046 F 6117	1							Toggle - Clutch Cable		
	A046 A 0170	1							Clutch Cable Abutment		