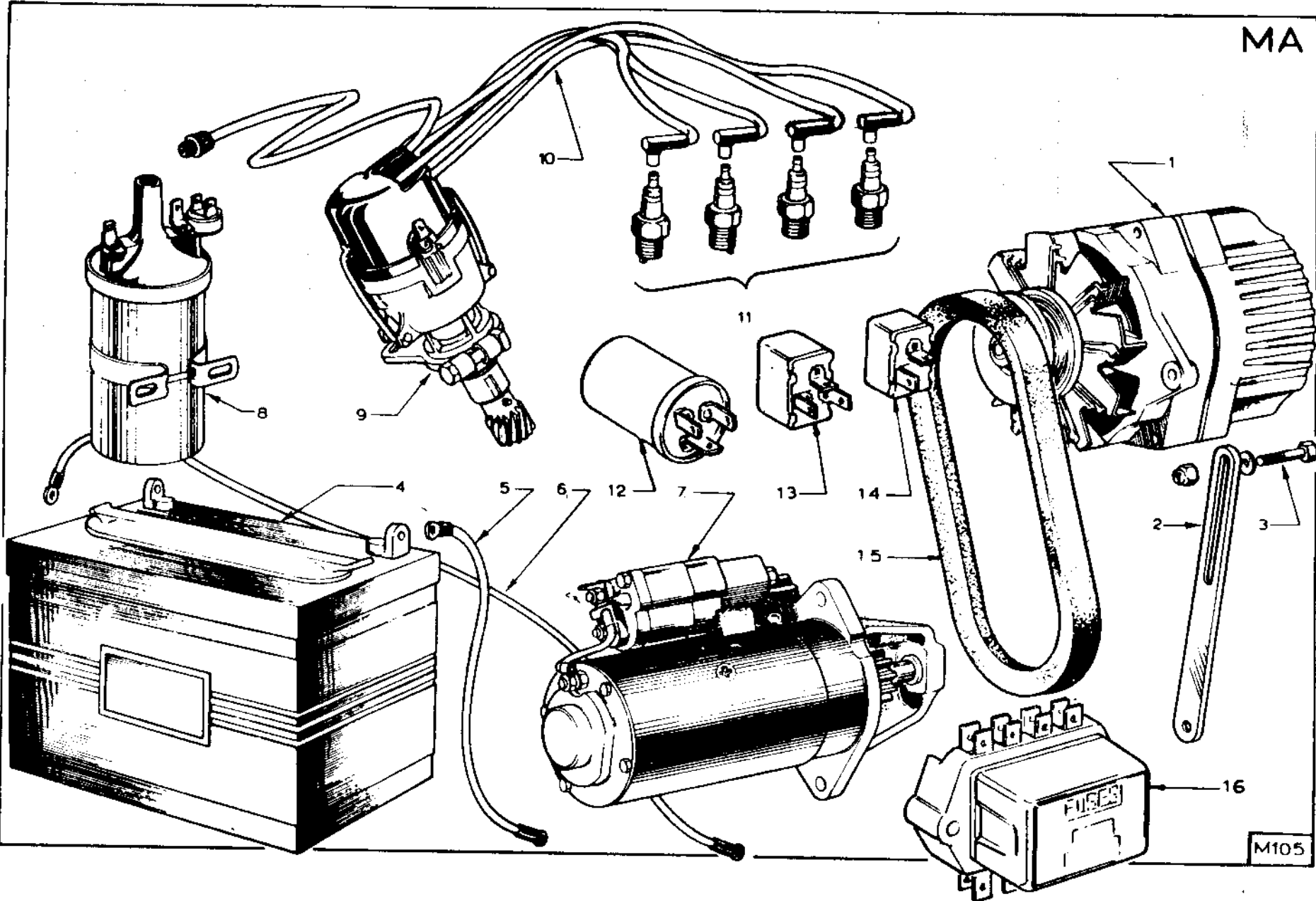


MA



M105

PLATE	PART NO.	QUANTITY					STEERING		DESCRIPTION	CHANGE POINT	BULLETIN REI
		ALL	T/C	T/C Fed.	Special	Spec. Fed.	LH	RH			
	A074 M 0188W	1	1	1			*	*	Loom. Main,		
	B074 M 0188W					1			Loom. Main,		
	A074 M 0189W	1	1	1			*	*	Loom. Facia/Window Lift,		
	B074 M 0224Z					1			Loom. Facia/Window Lift,		
	A074 M 0190W	1	1	1			*	*	Loom. Panel Light,		
	B074 M 0190W					1			Loom. Panel Light,		
	A054 M 0792W			1					Loom. Hazard Warning,		
	A074 M 0203W	1		1			*		Loom. Hazard Warning,		
	X054 M 0785Z	1	1	1			*		Loom. Brake Fail,		
	A074 M 0209Z			1		1			Loom. Seat Belt Warning,		
	A074 M 0222Z			1		1			Lead. Extension, - Seat Belt Warning,		
MA1	A074 E 6000Z	1							Alternator.		
MA2	A074 E 0133Z	1							Arm. Adjusting,		
MA3	9	1							Bolt.		
	116	1							Washer.		
	211	1							Nut.		
MA4	X036 M 6002Z	1							Battery.		
MA5	A074 M 0191Z	1							Cable. Battery to Earth,		
MA6	X046 M 0046Z	1							Cable. Battery to Starter,		
	XUCB 0416Z	2							Bolt. Cables to Battery Terminals,		

1272 (AL 1)

MA1

PLATE	PART NO.	QUANTITY					STEERING		DESCRIPTION	CHANGE POINT	BULLETIN REF
		ALL	T/C	T/C Fed.	Special	Spec. Fed.	LH	RH			
	110	2							Washer.		
	206	2							Nut .		
MA7	A074 E 6010Z	1							Motor. Starter,		
MA8	X036 M 6298Z	1							Coil. Ignition,		
MA9	E026 M 0009W	1	1		1		*	*	Distributor.		
	G026 M 0009W			1		1			Distributor.		
	X028 M 0073Z	1							comprising:		
	X036 M 6057Z	1							Cap. Distributor,		
	X028 M 0070Z	1							Bush and Spring,		
	A036 M 6362Z	1							Arm. Rotor,		
	X036 M 6060Z	1							Contact Set. (Quick Fit),		
	A026 M 6097Z	1							Condenser.		
MA10	A036 E 0816W	1							Screw. Distributor to Block,		
	A074 E 0740Z	1							Harness. Ignition,		
MA11	A036 M 6412Z	4							Harness. Ignition (replaced by A036 E 0816W)		
MA12	X036 M 6270Z	1			1		*		Plug. Sparking,		
MA13	A036 M 6334Z			1					Unit. Hazard Flasher,		
	A007 M 4124Z					1			Unit. Hazard Flasher,		
MA14	X036 M 6300Z	1							Unit. Hazard Flasher,		
	X036 M 6301Z	1							Unit. Indicator Flasher,		
									Clip. Securing,		
1272 (AL 1)											

PLATE Ref: No.	PART NO.	QUANTITY					STEERING		DESCRIPTION	CHANGE POINT	BULLETIN REF.
		ALL	T/C	T/C Fed.	Special	Spec. Fed.	LH	RH			
MA15	A074 E 6008Z	1							Belt. Alternator,		
MA16	A074 M 6001W	1							Box. Fuse,		
	X026 M 0039Z	1							Lead. Earth, - Engine to Chassis,		
	X036 B 1079Z	1							Horn. High Note,		
	X06 B 1080Z	1							Horn. Low Note,		
	X026 B 0403Z	2							Spacer. Horn to Body,		
	X050 M 6056Z	1							Set. Air Horn, (optional)		
	X050 B 1526Z	1							Bracket. Air Horn Mounting,		

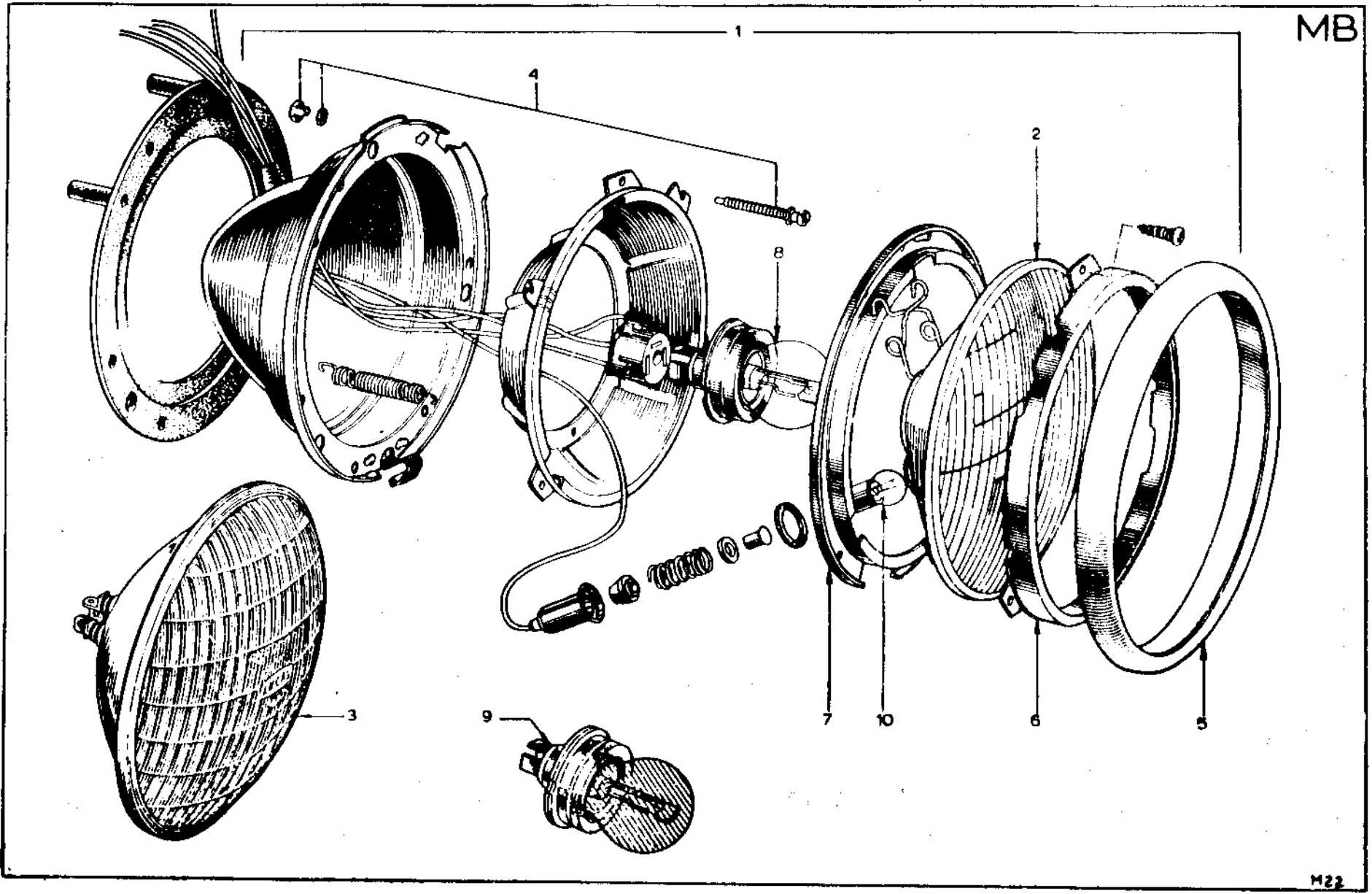


PLATE	PART NO.	QUANTITY					STEERING		DESCRIPTION	CHANGE POINT	BULLETIN REF
		ALL	T/C	T/C Fed.	Special	Spec. Fed.	LH	RH			
Ref: No.											
MB1	A074 M 6002W	2			2			*	Assembly. Headlamps,		
	A054 M 6064W	2						*	Assembly. Headlamp, (replaced by A074 M 6002W)		
	X046 M 6197W	2			2		*		Assembly. Headlamp, (clear bulb and pilot bulb)		
	A054 M 6061W	2			2		*		Assembly. Headlamp, (yellow bulb and pilot bulb)		
	A036 M 6078W	2			2		*		Assembly. Headlamp, (clear bulb only)		
	A036 M 6302W			2					Assembly. Headlamp,		
MB2	X046 M 6185Z	2			2				Unit. Light,		
MB3	X036 M 6081Z	2			2			*	Unit. Light,		
	X036 M 6083Z			2					Unit. Light,		
MB4	X046 M 6187Z	4							Screw. Trimmer,		
MB5	X036 M 6036Z	2							Bezel.		
MB6	X046 M 6163Z	2							Rim.		
	X046 M 6162Z	2							Gasket.		
MB7	X036 M 6044Z	2							Gasket.		
MB8	A036 M 6360Z		2		2		*		Bulb. Clear,		
MB9	A036 M 6361Z		2		2		*		Bulb. Yellow,		
MB10	A036 M 6330Z		2		2		*	*	Bulb. Pilot,		
	RSTS 1014	8							Screw. Headlamp Mounting,		
	X036 B 6004Z	8							Nut.		

1272 (AL 1)

MB1.

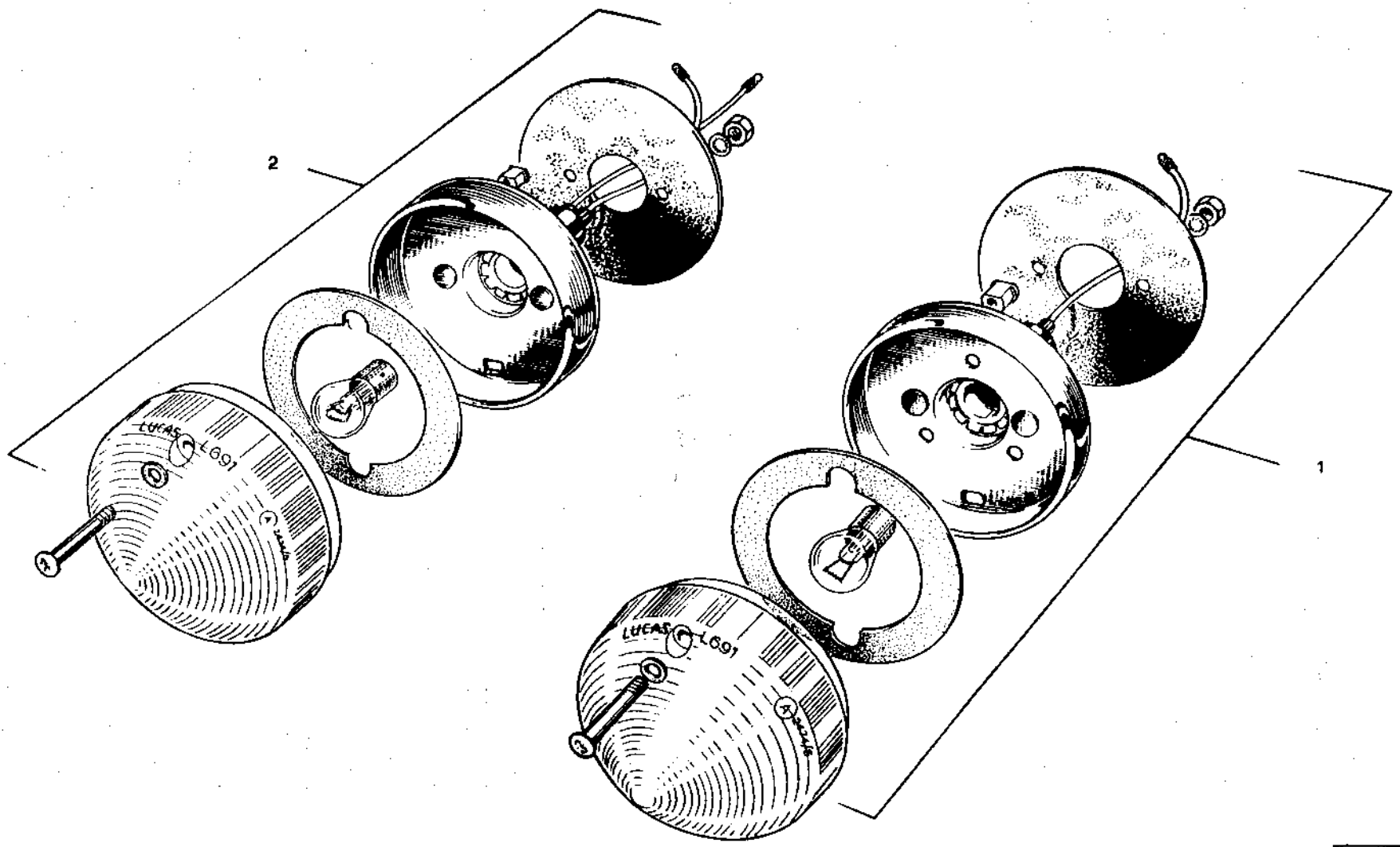


PLATE Ref: No.	PART NO.	QUANTITY					STEERING		DESCRIPTION	CHANGE POINT	BULLETIN REF
		ALL	T/C	T/C Fed.	Special	Spec. Fed.	LH	RH			
MCI	X036 M 6252W		2		2		*	*	Lamp. Flasher, (amber)		
	A036 M 6324Z		2		2		*	*	Lens. Amber,		
	A036 M 6329Z		2		2		*	*	Bulb. Single Filament,		
MC2	X036 M 6263W		2		2		*		Lamp. Parking/Flasher, (clear)		
	A036 M 6323Z		2		2		*		Lens. Clear,		
	A036 M 6331Z		2		2		*		Bulb. Double Filament,		
	X036 M 6283W			2		2			Lamp. Parking/Flasher (amber)		
	A036 M 6372Z			2		2			Lens. Amber,		
	A036 M 6331Z			2		2			Bulb. Double Filament,		

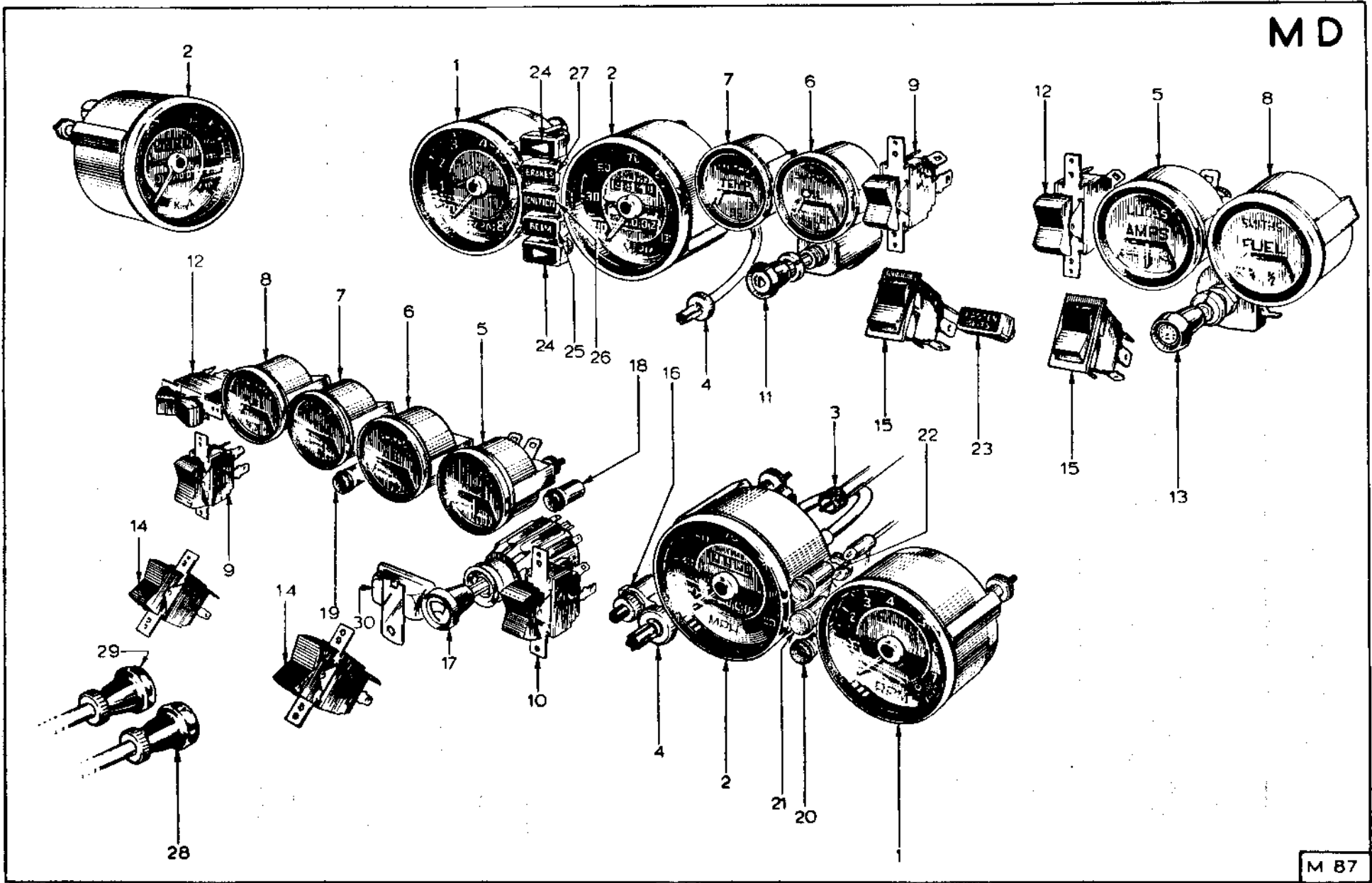


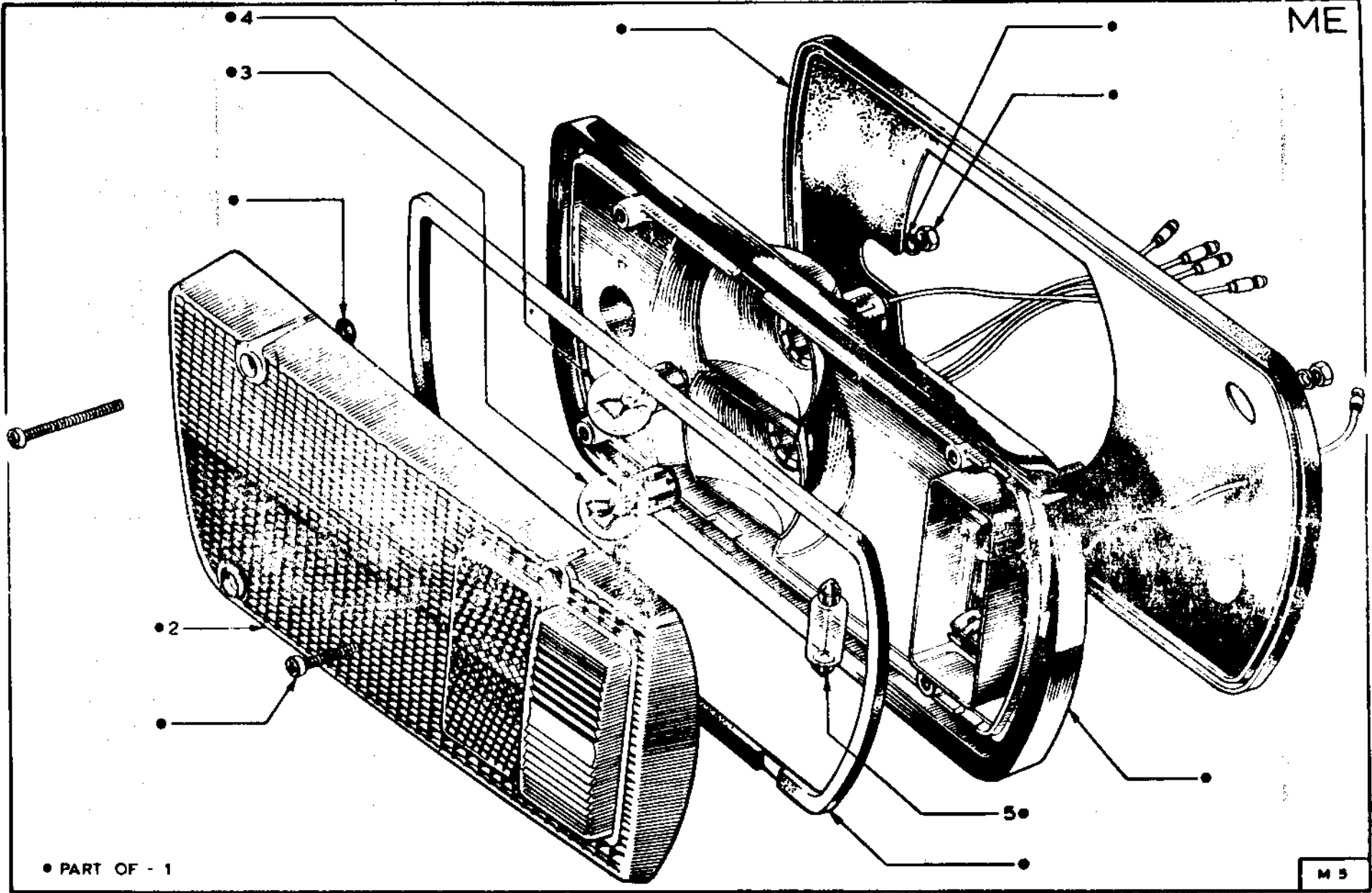
PLATE	PART NO.	QUANTITY					STEERING		DESCRIPTION	CHANGE POINT	BULLETIN REF.
		ALL	T/C	T/C Fed.	Special	Spec. Fed.	LH	RH			
Ref: No.											
MD1	X054 N 6001Z								Tachometer.		
	A074 N 6004Z				1	1	*	*	Tachometer.		
MD2	X054 N 6002Z		1	1					Speedometer. m.p.h.)	Vehicles with type 336 Gearboxes.	
	X054 N 6003Z		1				*		Speedometer. k.p.h.)		
	A074 N 6002Z		1	1	1	1			Speedometer. m.p.h.)	Vehicles with type 352 and 365 Gearboxes.	
	A074 N 6003Z		1		1		*		Speedometer. k.p.h.)		
MD3	X046 N 6007Z		1	1			*	*	Cable. Speedometer, vehicles with type 336 G/Box		
	A074 N 6001Z	1							Cable. Speedometer, vehicles with type 352 and 365 G/Boxes		
MD4	X054 N 6009Z	1							Cable. Speedometer trip,		
	A054 B 1463Z					1			Bracket. Cable Securing,		
MD5	A054 M 6062Z	1							Gauge. Ammeter,		
MD6	A074 N 6000Z	1							Gauge. Oil Pressure,		
	A065 N 0024Z	1							Pipe. Oil, - Gauge to Block,		
	A050 N 0027Z	1							Adaptor. Oil Pipe to Block,		
MD7	X054 N 6005Z	1							Gauge. Water Temperature,		
MD8	X054 N 6007Z	1							Gauge. Fuel,		
MD9	X054 M 6002Z	1							Switch. Heater Fan,		
MD10	X054 M 6002Z		1	1	1		*	*	Switch. Side/Head Lamps,		
MD11	A050 M 0227Z					1			Switch. Side/Head Lamps,		

1272 (AL 1)

MD1.

PLATE Ref: No.	PART NO.	QUANTITY					STEERING		DESCRIPTION	CHANGE POINT	BULLETIN RE
		ALL	T/C	T/C Fed.	Special	Spec. Fed.	LH	RH			
MD12	X036 M 6094Z		1		1			*	Switch. Panel Lighting,		
	X050 M 6091Z		1		1			*	Switch. Hazard,		
	A036 M 6336Z			1		1			Switch. Hazard,		
MD13	A074 M 6021Z					1			Switch. Dimmer, Panel Lighting,		
	A074 M 0227Z					1			Knob. Dimmer Switch,		
MD14	X036 M 6290Z		2					* *	Switch. Window operating,		
	A054 B 1465Z		2					* *	Bezel. Switch, (for X036 M 6290Z)		
	A054 B 1462Z		1					* *	Bracket. Switch Mounting, (for X036 M 6290Z)		
MD15	A074 M 6012Z	2							Switch. Window operating ('snap-in' type)	October 1971	
MD16	X036 M 6089Z			1					Switch. Brake Fail Lamp Test,		
	A054 B 1539Z			1					Bracket. Switch Mounting,		
MD17	X050 N 6000Z		1	1	1			* *	Switch. Wiper/Washer Pump,		
MD18	X036 M 6277Z		1		1			*	Lamp. Hazard Warning,		
	B050 M 0151Z			1					Lamp. Hazard Warning,		
MD19	X036 M 6277Z			1					Lamp. Brake Fail Warning,		
MD20	X036 M 6277Z		1	1	1			* *	Lamp. Ignition Warning,		
MD21	X036 M 6279Z		1	1	1			* *	Lamp. Main Beam,		
MD22	X036 M 6278Z		1	1	1			* *	Lamp. Directional Indicator,		
MD23	A074 M 6013Z			1		1			Lamp. Seat Belt Warning,		
MD24	A075 H 0114Z					2			Lamp. Directional Indicator,		
1272 (AL 1)											

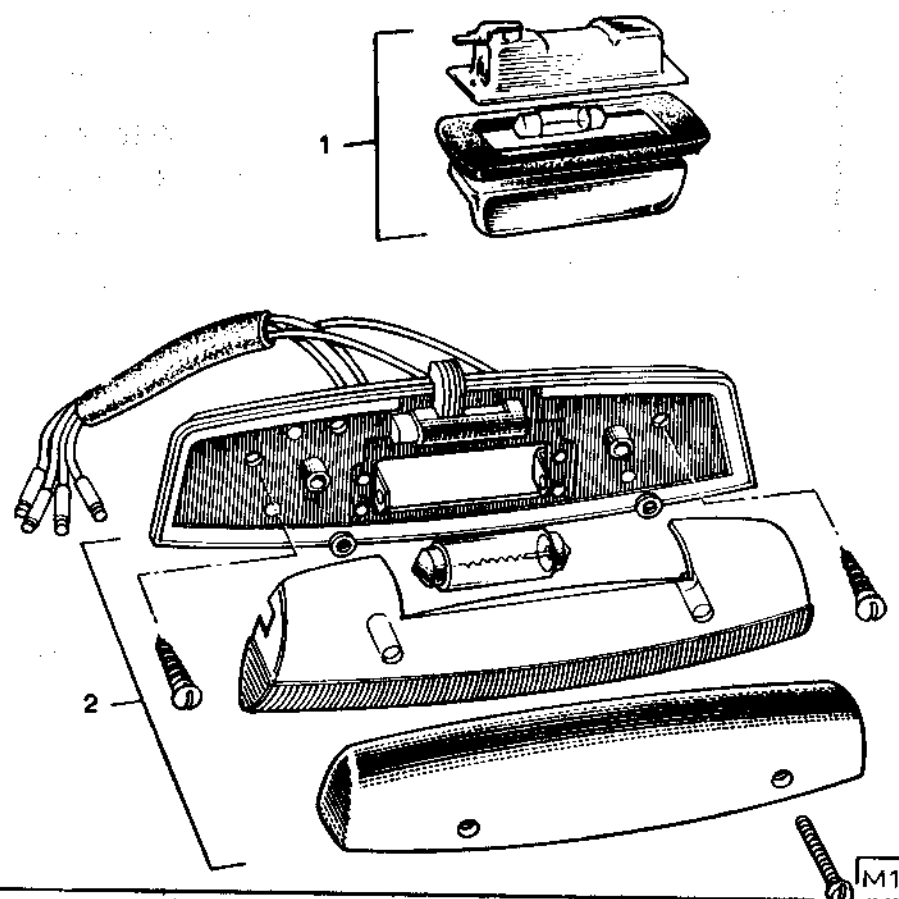
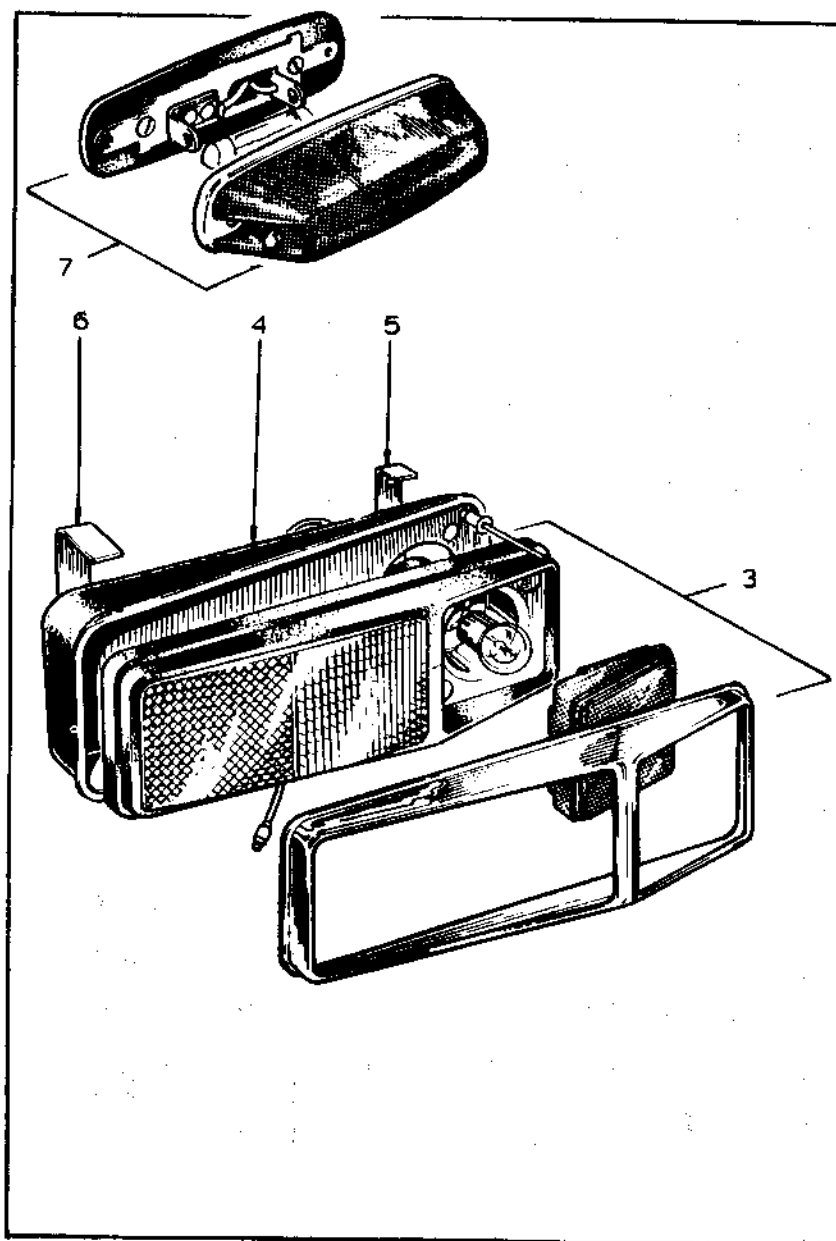
PLATE Ref No.	PART NO.	QUANTITY					STEERING		DESCRIPTION	CHANGE POINT	BULLETIN RE
		ALL	T/C	T/C Fed.	Special	Spec. Fed.	LH	RH			
MD25	A075 M 6054Z					1			Lamp. Main Beam,		
MD26	A075 M 6055Z					1			Lamp. Ignition Warning,		
MD27	A075 M 6056Z					1			Lamp. Brake Warning,		
MD28	A074 E 0294Z		1		1		*	*	Cable. Choke,		
	A074 E 0475Z			1		1			Cable. Choke,		
MD29	C074 P 0075Z	1							Cable. Heater,		
MD30	X050 M 6096Z	1							Stabiliser. Voltage,		
	A074 M 6016Z	AR							Washer. Warning Lamp Locking, (where fitted)		
	X036 M 6291Z	AR							Bulb. Instrument,		
	X036 M 6130Z	AR							Bulb. Warning Lamp,		



• PART OF - 1

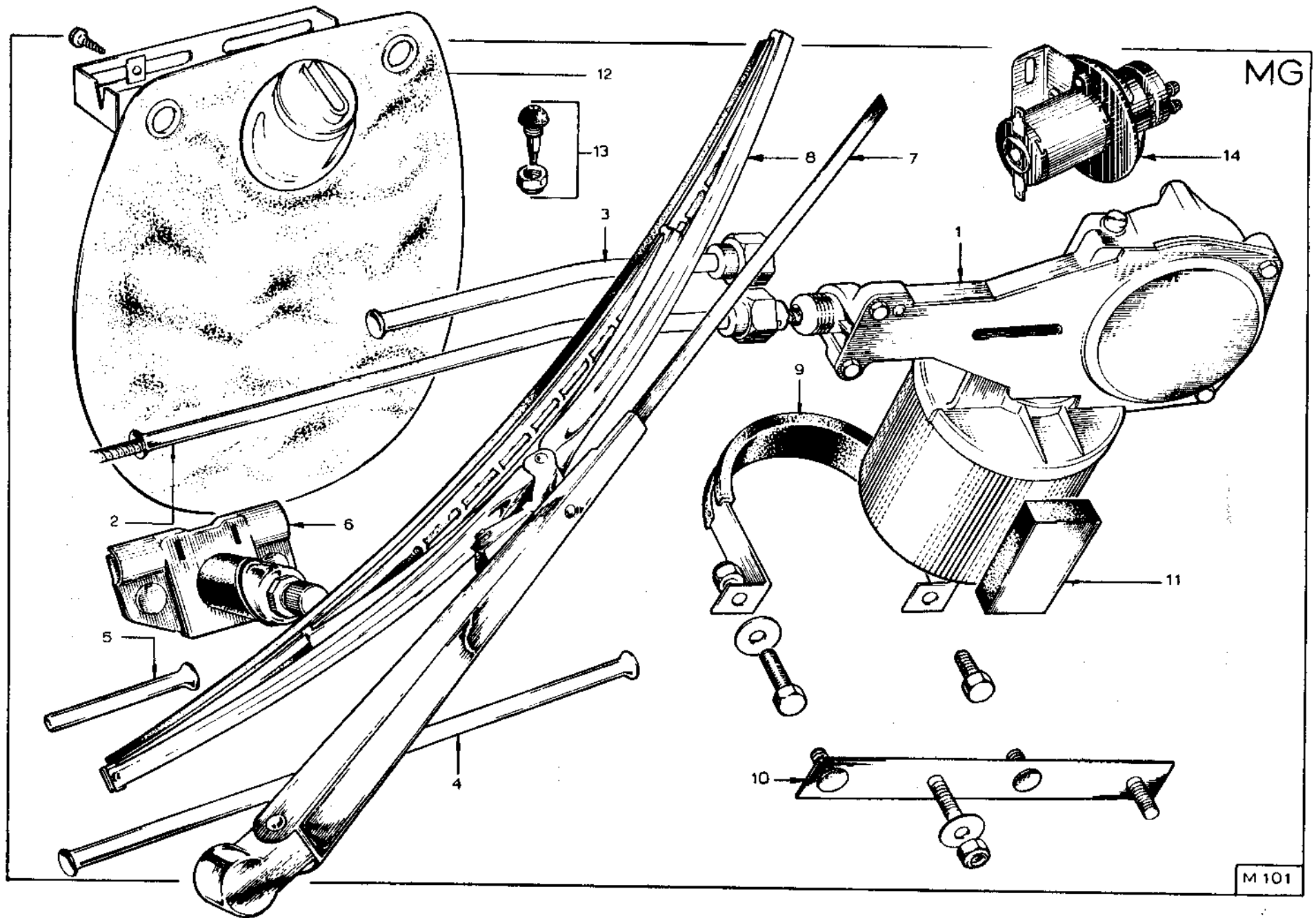
PLATE Ref: No.	PART NO.	QUANTITY					STEERING		DESCRIPTION	CHANGE POINT	BULLETIN RE
		ALL	T/C	T/C Fed.	Special	Spec. Fed.	LH	RH			
ME1	X050 M 6059W		1		1		*	*	Assembly. Rear Lamp, (L/H)		
	X050 M 6060W		1		1		*	*	Assembly. Rear Lamp, (R/H)		
	A054 M 6081W			1		1			Assembly. Rear Lamp, (L/H)		
	A054 M 6080W			1		1			Assembly. Rear Lamp, (R/H)		
ME2	X050 M 6061Z		1		1		*	*	Lens. (L/H)		
	X050 M 6062Z		1		1		*	*	Lens. (R/H)		
	A054 M 6095Z			1		1			Lens. (L/H)		
	A054 M 6096Z			1		1			Lens. (R/H)		
ME3	A036 M 6331Z	2						Bulb. Stop/tail,			
ME4	A036 M 6329Z	2						Bulb. Flasher,			
ME5	A036 M6332Z	2						Bulb. Reverse,			
	XUFB 0308	6						Bolt. Rear Lamp Mounting,			
	105	6						Washer.			
	X036 M 0127W		2				*		Unit. Fuse, (West Germany only)		
	A050 M 6167Z		2				*		Fuse 5 amp.		

MF



M100

PLATE	PART NO.	QUANTITY					STEERING		DESCRIPTION	CHANGE POINT	BULLETIN RE
		ALL	T/C	T/C Fed.	Special	Spec. Fed.	LH	RH			
Ref: No.											
MF1	X036 M 6253W	1							Lamp. Number Plate,		
	A050 M 6168Z	1							Bulb.		
	315	2							Screw. Securing,		
	422	2							Nut.		
MF2	X036 M 6048W	1							Lamp. Interior,		
	X036 M 6317Z	1							Bulb.		
	316C	2							Screw. Securing,		
	422	2							Nut.		
MF3	X036 M 6282W			2		2			Lamp. Side Marker, (amber)		
	X036 M 6281W			2		2			Lamp. Side Marker, (red)		
	A036 M 6330Z			2		2			Bulb.		
MF4	X050 B 1852Z			2		2			Insert. Side Marker Lamp,		
MF5	A050 B 1853Z			2		2			Bracket. Mounting, (front)		
MF6	A050 B 1854Z			2		2			Bracket. Mounting, (rear)		
	X054 M 0126Z			2		2			Lead. Earth,		
MF7	X036 M 6001W		2		2		*	*	Lamp. Flasher Repeater,		
	A036 M 6339Z		2		2		*	*	Bulb.		



MG

M 101

PLATE Ref: No.	PART NO.	QUANTITY					STEERING		DESCRIPTION	CHANGE POINT	BULLETIN REF
		ALL	T/C	T/C Fed.	Special	Spec. Fed.	LH	RH			
MG1	X054 M 6041W		1		1		*	*	Motor. Windscreen Wiper,		
	X054 M 6042W					1			Motor. Windscreen Wiper,		
MG2	X054 M 0003Z		1		1		*	*	Bundy. Motor to Wheelbox,		
MG3	A054 M 0010Z					1			Bundy. Motor to Wheelbox,		
MG4	A054 M 0011Z					1			Bundy. Wheelbox to Wheelbox,		
MG5	X026 M 0012Z	1							Bundy. Over-run,		
MG6	X036 M 6151W		1		1		*	*	Assembly. Wheelbox,		
	X054 M 6056W					2			Assembly. Wheelbox,		
MG7	X046 M 6177Z		1		1		*	*	Arm. Wiper,		
	X054 M 6036Z					2			Arm. Wiper,		
MG8	A054 M 6090Z		1		1		*	*	Blade. Wiper,		
	X054 M 6037Z					2			Blade. Wiper,		
MG9	X046 M 6151Z	1							Clamp. Motor Mounting,		
MG10	X054 M 1677Z					1			Bracket. Motor Mounting,		
	1		1		1		*	*	Bolt. Clamp Securing,		
	3C		1		1		*	*	Bolt. Clamp Securing,		
	113		2		2		*	*	Washer. Plain,		
	208	2							Nut.		
	110	2							Washer. Bracket to Bulkhead,		
	208	2							Nut. Bracket to Bulkhead Securing,		

PLATE Ref: No.	PART NO.	QUANTITY					STEERING		DESCRIPTION	CHANGE POINT	BULLETIN REF
		ALL	T/C	T/C Fed.	Special	Spec. Fed.	LH	RH			
MG11	X046 M 6152Z	1							Pad. Mounting,		
MG12	A036 B 6160Z	1							Bag. Washer,		
	A036 B 6162Z	1							Bracket. Bag Mounting,		
MG13	A050 M 6198Z		1		1		*	*	Jet. Washer,		
	A036 M 6427Z			2		2			Jet. Washer,		
	X050 M 6053Z			1		1			'T' Piece.		
MG14	A036 M 6421Z					1			Pump. Washer,		
	A036 B 6173Z	1							Tube. Bag to Pump,		
	A054 M 6057Z	1							Tube. Pump to Jet,		

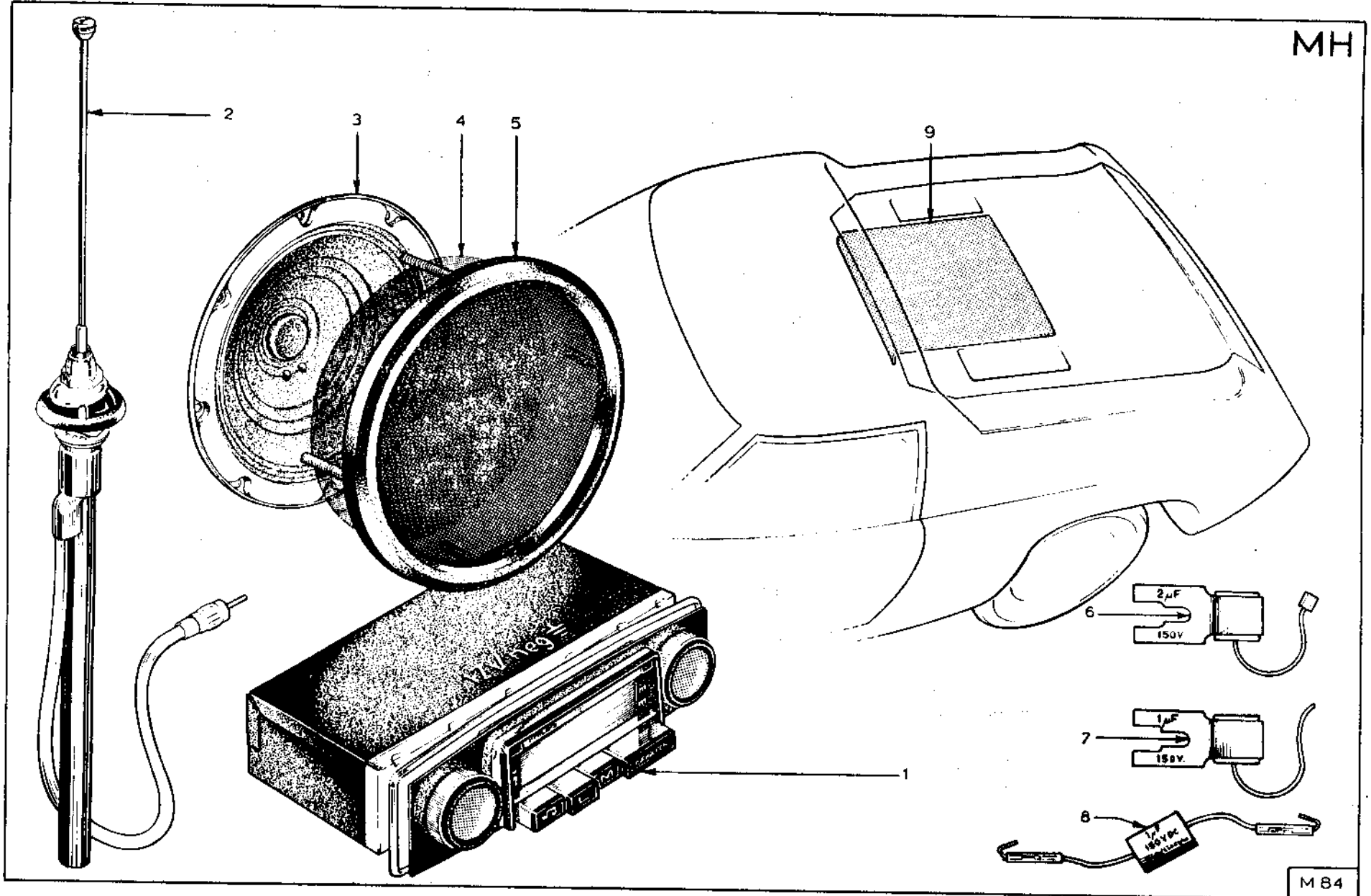


PLATE Ref: No.	PART NO.	QUANTITY					STEERING		DESCRIPTION	CHANGE POINT	BULLETIN REF
		ALL	T/C	T/C Fed.	Special	Spec. Fed.	LH	RH			
MH1	A074 M 6005W		1		1		*	*	Kit. Radio and Suppression, comprising, Receiver. Radio, Bezel. Facia, (outer) Bezel. Facia, (inner) Bracket. Mounting, Aerial. Speaker, (round) Scrim. (between Speaker and Grille) Bezel and Grille. Capacitor. Two microfarad, (coil suppression) Capacitor. One microfarad, (alternator & wiper motor suppression) Capacitor. One microfarad, (stop lamp switch and voltage stabilizer suppression) Braid. (15 ins) Bonnet bonding, Braid. (12 ins) Coil bonding, Braid. (6 ins) Seat bonding, Connector. Foil. Screening, (22 ins (53 cm) X (20 ins (51 cm))). Fuse. Radio,		
	A050 M 6197Z		1		1		*	*			
	A036 M 6403Z		1		1		*	*			
	A036 M 6404Z		1		1		*	*			
	A036 M 6402Z		2		2		*	*			
MH2	A036 M 6408Z	1									
MH3	A050 M 6193Z	1									
MH4	A074 M 6011Z	1									
MH5	A050 M 6194Z	1									
MH6	A074 M 6006Z	1									
MH7	A074 M 6007Z	3									
MH8	A074 M 6008Z	2									
	A074 M 6010Z	1									
	A036 M 6400Z	1									
	A050 M 6011Z	2									
	A050 M 6223Z	3									
MH9	A065 M 6008V	1									
	A036 M 6431Z		1		1		*	*			